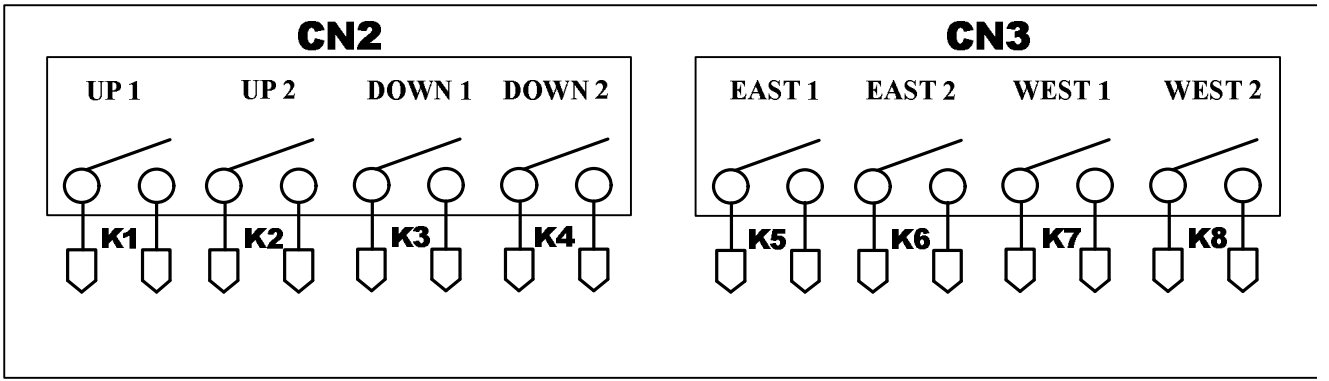
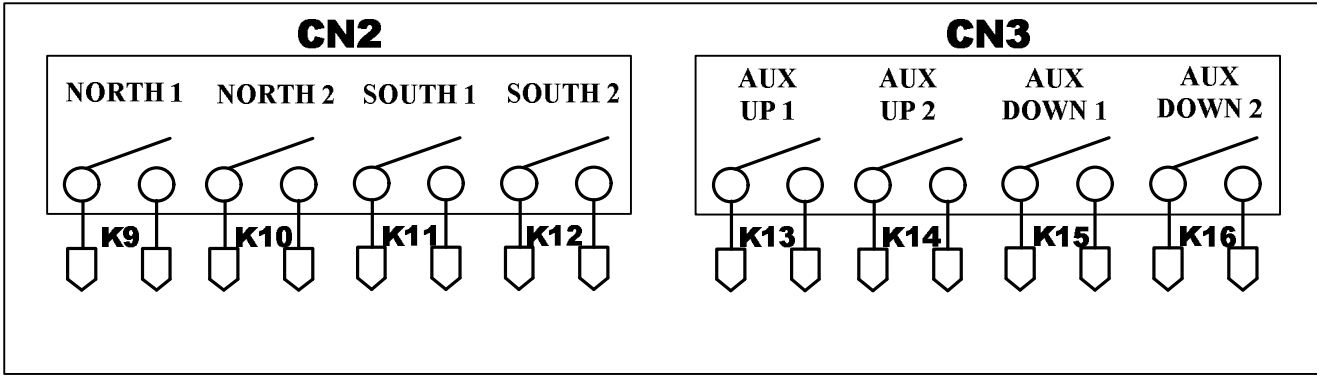


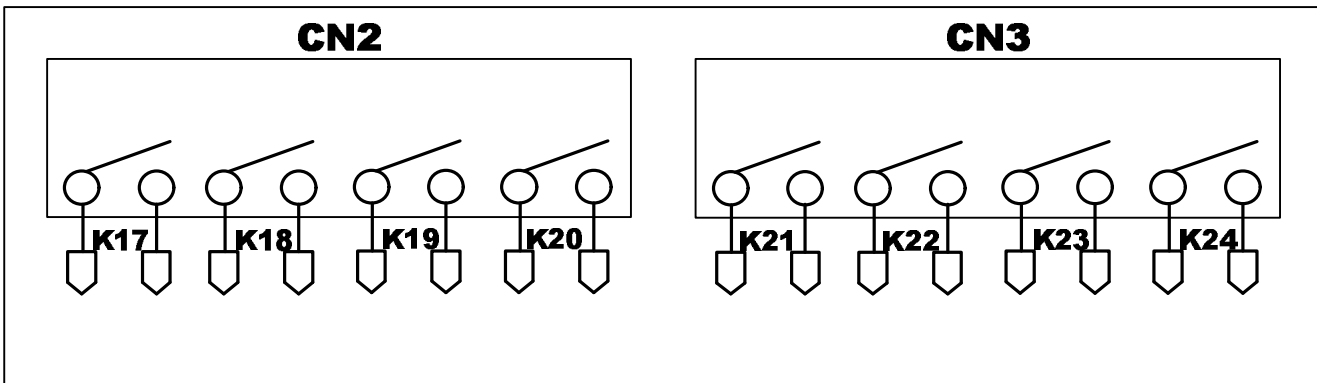
Relay Card 1



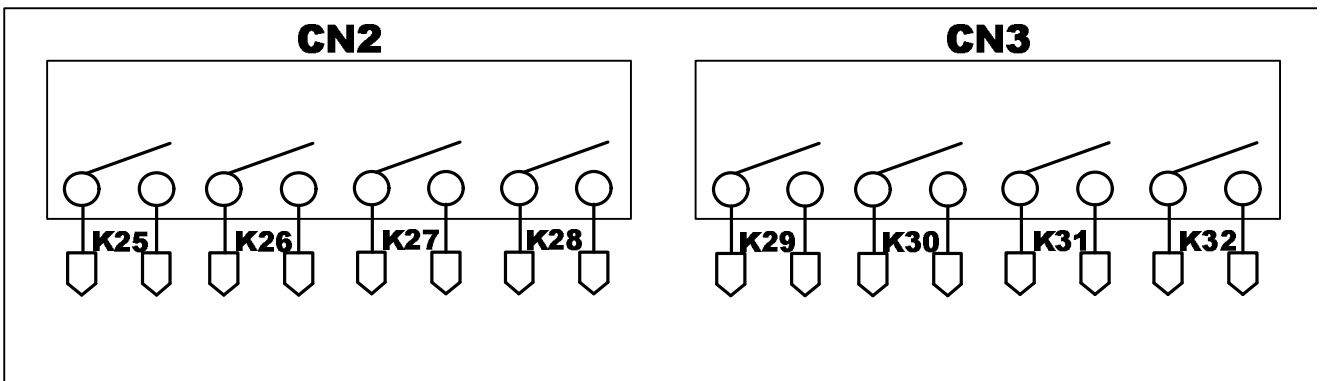
Relay Card 2



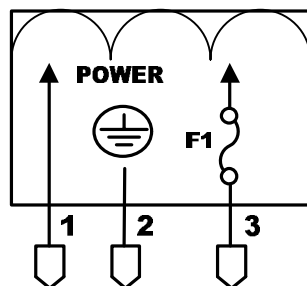
Relay Card 3



Relay Card 4



POWER MODULE



MAIN RELAY

